



# GRAIN COVER

## Unfolding and Panel Layout Instructions

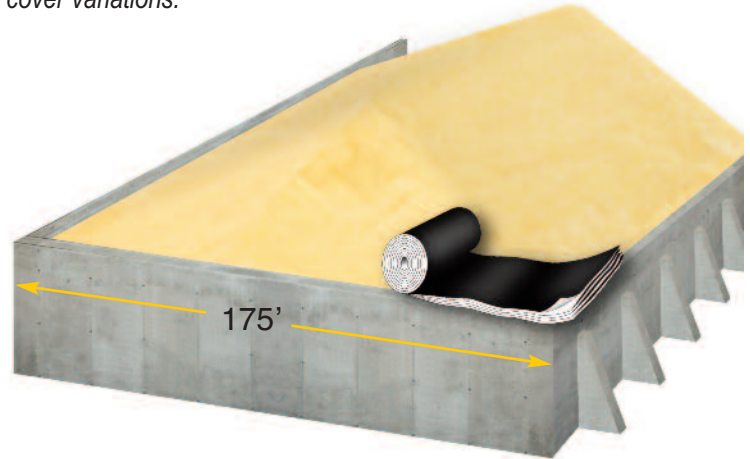
288' x 175' Example

(175' = To be rolled out; 288' = To be unfolded)

**Note:** Please verify the white side of the cover will face upward when unfolding to avoid rolling out backwards and having to reposition an open cover. Cover seams should run vertically over the pile to allow rain run-off from the pile. This is a typical cover size being unfolded and does not represent all Dura-Skrim® cover variations.

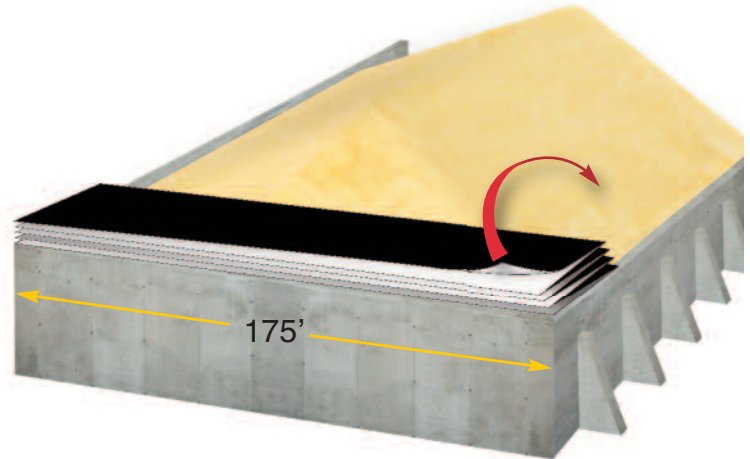
**1**  
STEP

Unroll entirely across the **Width** of the pile.

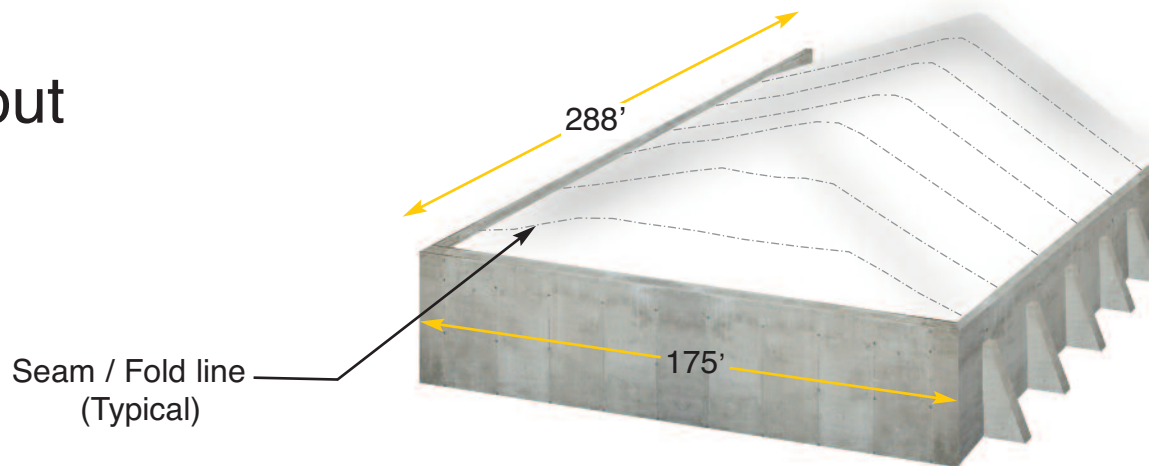


**2**  
STEP

Unfold accor-dian-pleats along the **Length** of the pile.



## Final Layout



**RAVEN**  
INDUSTRIES

**ENGINEERED FILMS DIVISION**

P.O. Box 5107 • Sioux Falls, SD 57117-5107

Ph:(605) 335-0174 • Fx:(605) 331-0333

800-635-3456 • [www.ravenag.com](http://www.ravenag.com)

Note: To the best of our knowledge, these are typical installation procedures and are intended as guidelines only. NO WARRANTIES ARE MADE AS TO THE FITNESS FOR A SPECIFIC USE OR MERCHANTABILITY OF PRODUCTS OR GUIDELINES REFERRED TO, no guarantee of satisfactory results from reliance upon contained information or recommendations and we disclaim all liability for resulting loss or damage.

9/09 EFD 1210